

BP432BX

BP432BX AC/DC

BP432BX Adaptive COT

1.25 V 3.3 V 70 kHz

CCM DCM

BP432BX
FB

BP432BC /14 V BP432BD /23

V

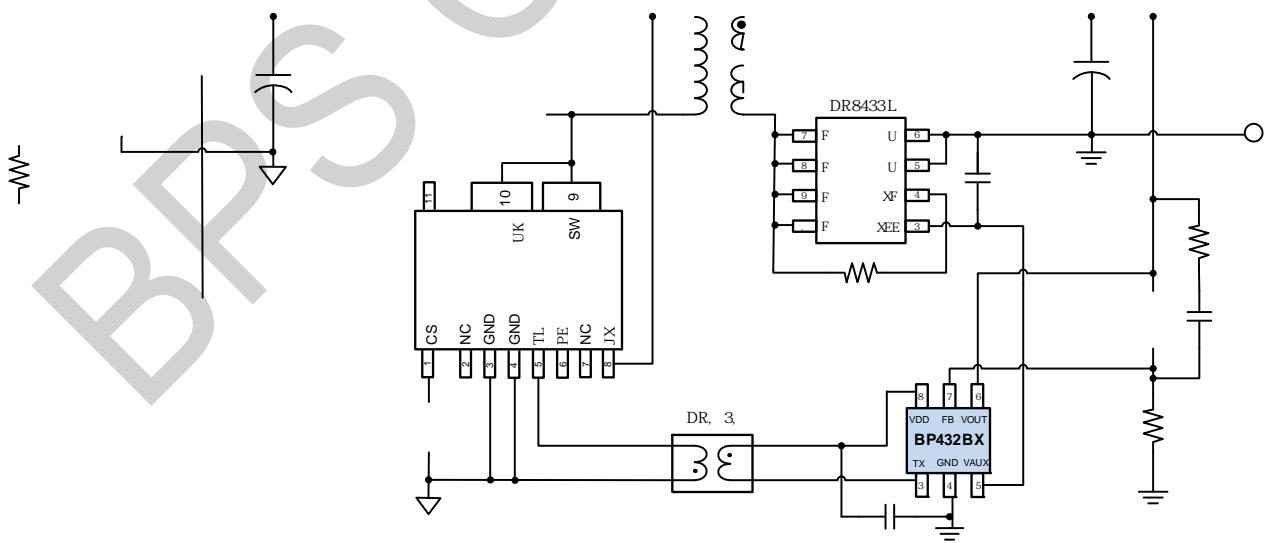
BP432BX SOT23-6



SOT23-6

- 1.25 V
- Adaptive COT
- CCM DCM
- FB

- QC / USB PD / AC/DC
- AC/DC



1. BP432BX

BPS Confide

BPS Confidential